

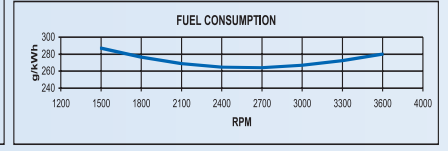
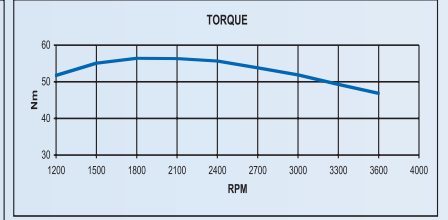
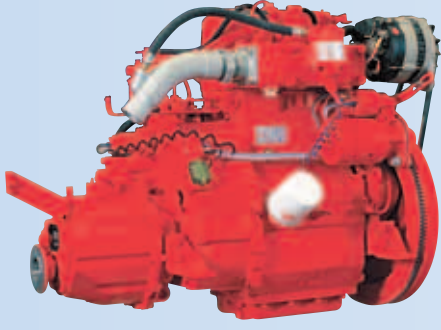


# Marine Diesel Engines

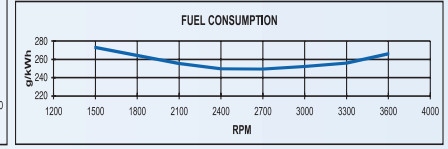
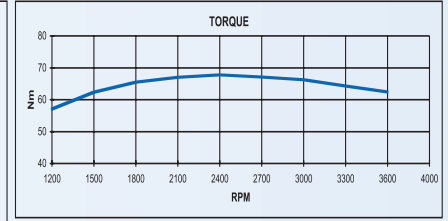
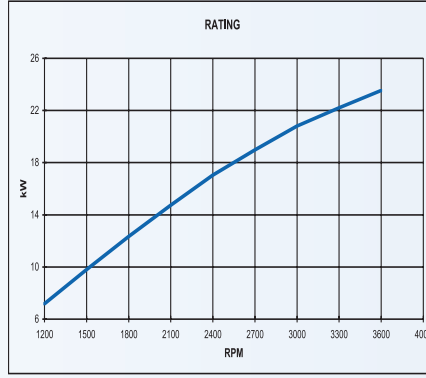
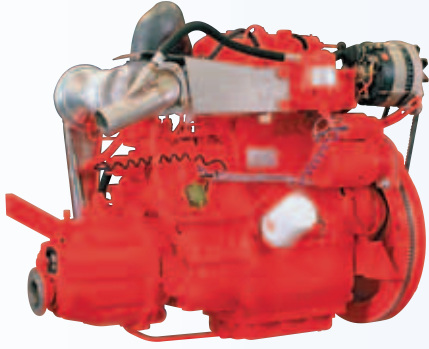
BUKH DV24-32-36-48 ME



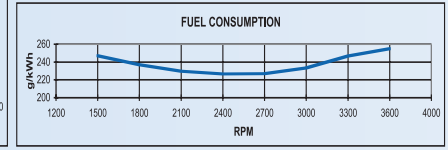
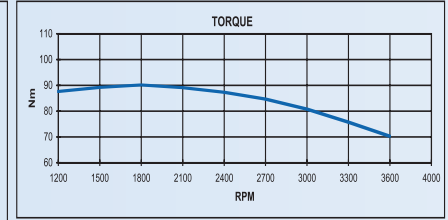
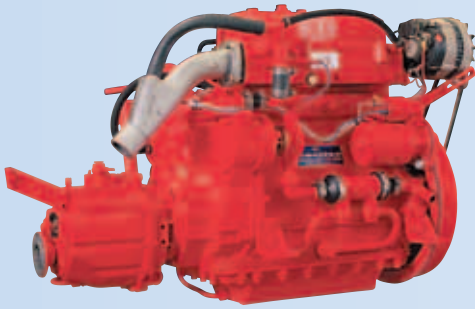
# DV24 ME



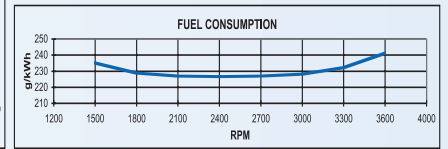
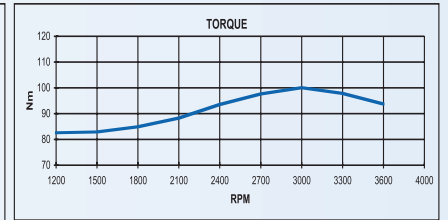
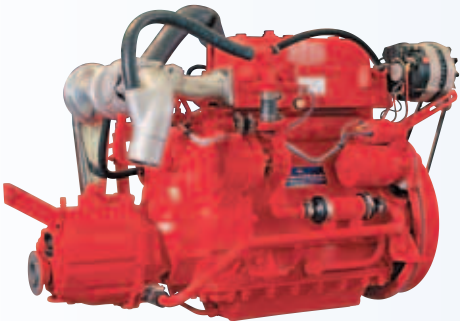
# DV32 ME

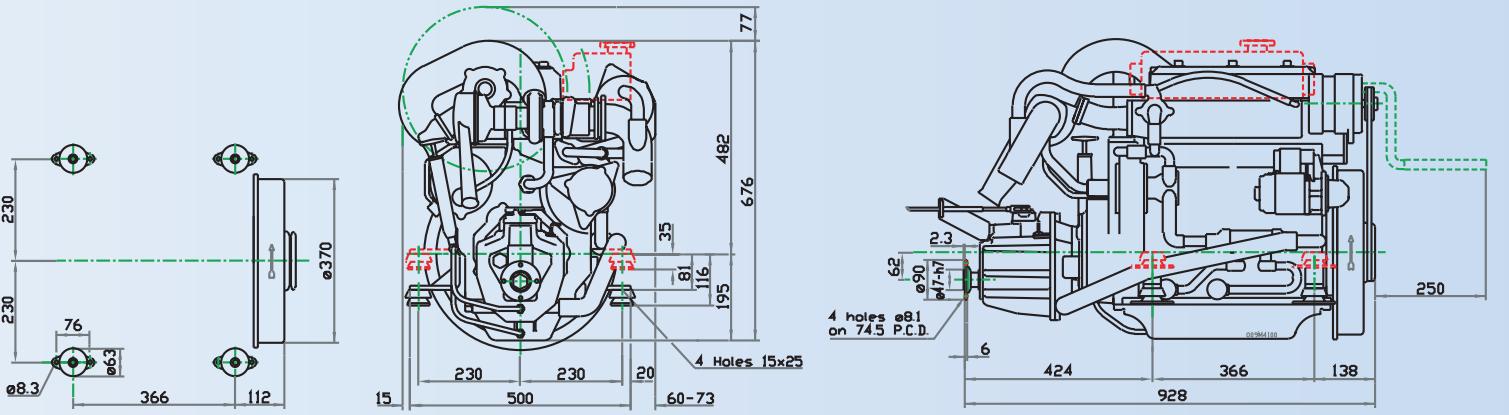
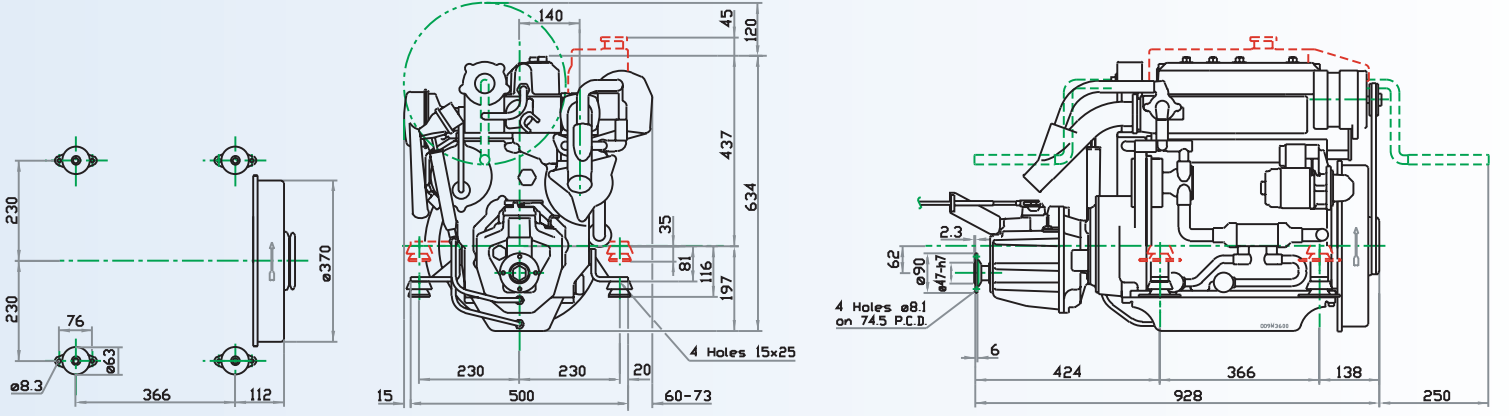
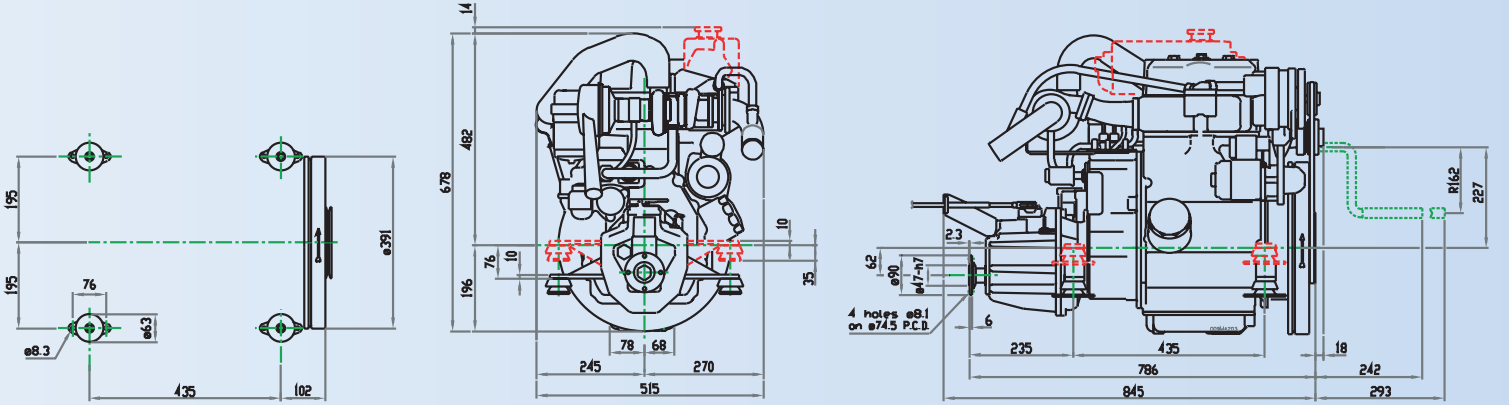
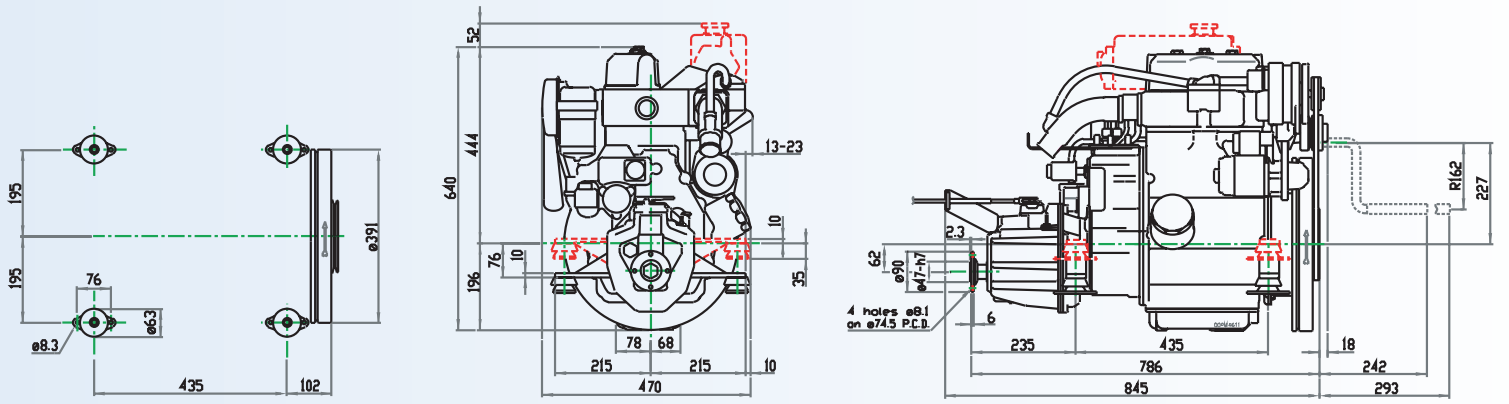


# DV36 ME



# DV48 ME







## Standard equipment (all types)

Reverse-reduction gear  
 Wet sump lubrication system  
 Pre and main (full flow) filter  
 Seawater cooling with thermostat  
 Air inlet filter and silencer  
 Fuel lift pump  
 Electric start  
 Charging alternator  
 Operating remote panel with:  
 - Charging light  
 - Luboil pressure warning light  
 - Cooling water temperature warning light  
 - Key switch for start and stop  
 - Audible warning  
 Fittings for remote control  
 Zinc anode protection  
 Drain pump for luboil  
 Flexible engine mounts  
 Watercooled exhaust bend  
 Watercooled exhaust manifold  
 Designed for remote control  
 Standard set of tools  
 Operating manual

## Further standard equipment DV24 ME and DV32 ME

Raised handstart  
 Decompression lever  
 Automatic injection timing  
 Centrifugal governor

## Further standard equipment DV36 ME and DV 48 ME

Bosh distributor injection pump with automatic timing device and governor.  
 Automatic ventilation of fuel system  
 Lubricating oil cooler

## Further standard equipment DV32 ME and DV48 ME

Turbocharger

## Optional extras

See price list for additional equipment for complete installation.

## Aabenraa Motorfabrik is one of the world's leading producers of lifeboat engines

Aabenraa Motorfabrik is an OEM manufacturer with workshop facilities and distributors worldwide. The BUKH RME lifeboat engines comply with the SOLAS requirements and have been approved by many international and national authorities, including EU authorities.

The BUKH ME engines are built to the same specifications, standards, and qualities as the BUKH RME lifeboat engines.

Furthermore, Aabenraa Motorfabrik supplies engines with saildrives for pleasure craft.



	DV24 ME	DV32 ME	DV36 ME	DV48 ME
Max continuous rating (ISO3046) at				
60 rps (3600 rpm)	24 HP (17.6 kW)	32 HP (23.5 kW)	36 HP (26.5 kW)	48 HP (35.3 kW)
50 rps (3000 rpm)	22.4 HP (16.5 kW)	28.3 HP (20.8 kW)	34.5 HP (25.4 kW)	43.5 HP (32 kW)
40 rps (2400 rpm)	17.9 HP (13.2 kW)	23.2 HP (17 kW)	29.8 HP (21.9 kW)	32 HP (23.6 kW)
33 rps (2000 rpm)	15.8 HP (11.7 kW)	19 HP (13.9 kW)	25.5 HP (18.7 kW)	-
Reverse-reduction gear ratio	3:1 - 2.5:1 - 2:1	3:1 - 2.5:1 - 2:1	3:1 - 2.5:1 - 2:1	2:1
Engine rotation (looking forward)	Anti-clockwise	Anti-clockwise	Anti-clockwise	Anti-clockwise
Propeller rotation (looking forward)	Clockwise	Clockwise	Clockwise	Clockwise
Number of cylinders	2	2	3	3
Bore and stroke	85x85 mm (3.35x3.35 in)	85x85 mm (3.35x3.35 in)	85x85 mm (3.35x3.35 in)	85x85 mm (3.35x3.35 in)
Swept volume	964 cm <sup>3</sup> (58.82 cu in)	964 cm <sup>3</sup> (58.82 cu in)	1447 cm <sup>3</sup> (88.29 cu in)	1447 cm <sup>3</sup> (88.29 cu in)
Cycle	4-stroke	4-stroke	4-stroke	4-stroke
Turbo charge pressure	-	0.8 Bar (11.6 psi)	-	0.5 Bar (7.25 psi)
Cooling system (standard)	Seawater	Seawater	Seawater	Seawater
Inclination, max, fore and aft	12°	12°	15°	15°
Heel, max, continuous	25°	25°	30°	30°
Fuel consumption, full load	5.8 l/h (1.28 galls/h)	7.5 l/h (1.65 galls/h)	8.0 l/h (2.11 galls/h)	9.9 l/h (2.62 galls/h)
Fuel consumption, cruising	3.3 l/h (0.73 galls/h)	4.3 l/h (0.94 galls/h)	4.7 l/h (1.24 galls/h)	5.5 l/h (1.45 galls/h)
Electric starter motor	12V, 1.36 HP (1.0 kW)	12V, 1.36 HP (1.0 kW)	12V, 1.36 HP (1.0 kW)	12V, 1.36 HP (1.0 kW)
Charging alternator	14V, 50 Amp, 700W	14V, 50 Amp, 700W	14V, 50 Amp, 700W	14V, 50 Amp, 700W
Net weight	210 kg (463 lbs)	218 kg (481 lbs)	265 kg (585 lbs)	273 kg (602 lbs)
Net weight incl. freshwater cooling	226 kg (498 lbs)	234 kg (516 lbs)	285 kg (628 lbs)	293 kg (646 lbs)

## AABENRAA MOTORFABRIK Heinrich Callesen A/S

Næstmark 30, PO Box 79, 6200 Aabenraa, Denmark  
 Tel: +45 74 62 20 88 · Fax: +45 74 62 74 07  
 E-mail: bukh@bukh.dk · www.bukh.dk



Your local distributor: